

Using the 4KB translation granule

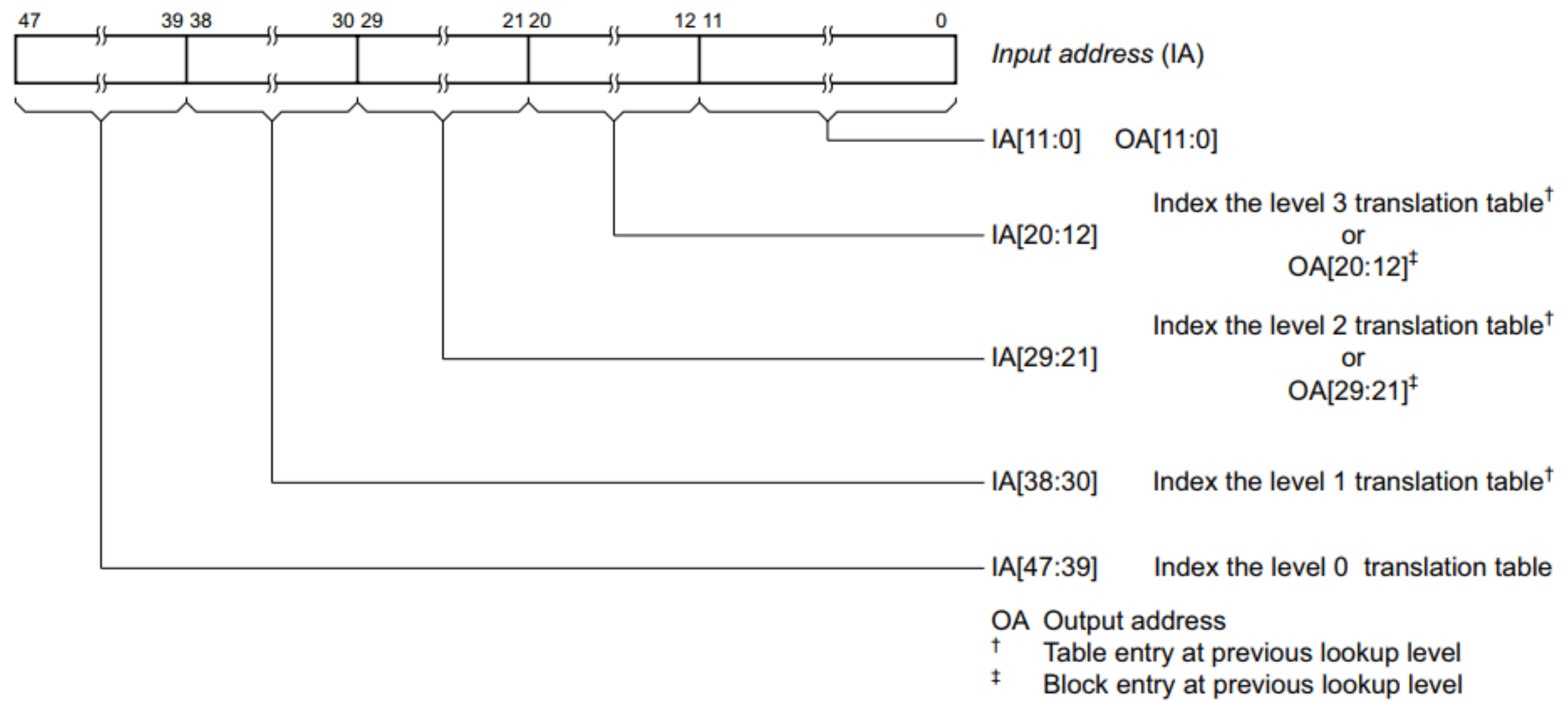


Figure D5-3 How a 48-bit IA is resolved when using the 4KB translation granule